

TS50 Series Fingertip Operating Joystick

Product Features

- Dualing rotation operation or single rotation operation.
- Friction positioning, hand feeling comfortable.
- Hall untouch testing.



Application

This series products are mainly used in the kinds of mechanical, road mechanical control panel.

Technical Information

Electrical parameter

Potentiometric sensors	
Mains voltage	$5 \pm 0.5\text{Vdc}$ or 9-36V
Maximum supply current	10mA
Median output voltage	$2.5 \pm 0.1\text{V}$
Reverse limit allowable voltage	-10Vdc
Linear error of output voltage	$< \pm 0.2\text{V}$
Limit allowable voltage	35Vdc

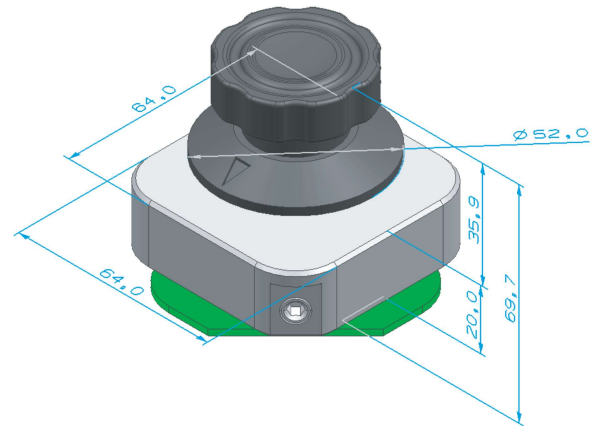
Mechanical parameter

Rotation angle	$\pm 135^\circ$ (dual operation, can be customized) 270° (single operation)
Operation mode	Friction location
Starting	About 3N
Maximum operation force	About 15N
Limit location force	About 100N
Serving life	>5M

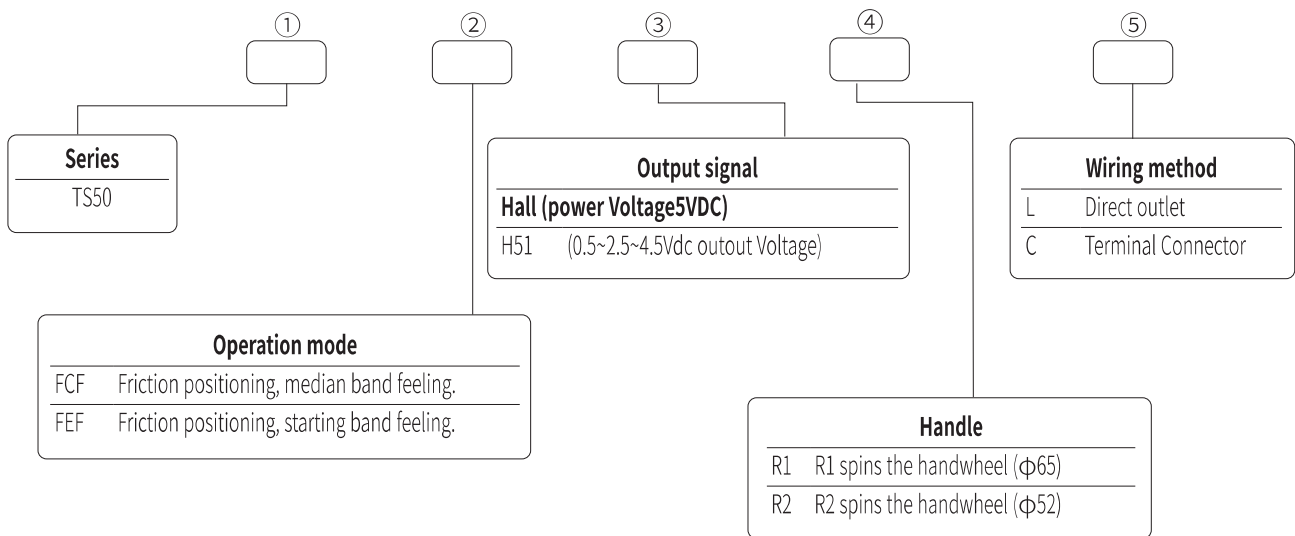
Environmental parameter

Working temperature	-30C~+70°C
Storage temperature	-40°C~+85°C
Level of protection	IP67(just for the electronic part)

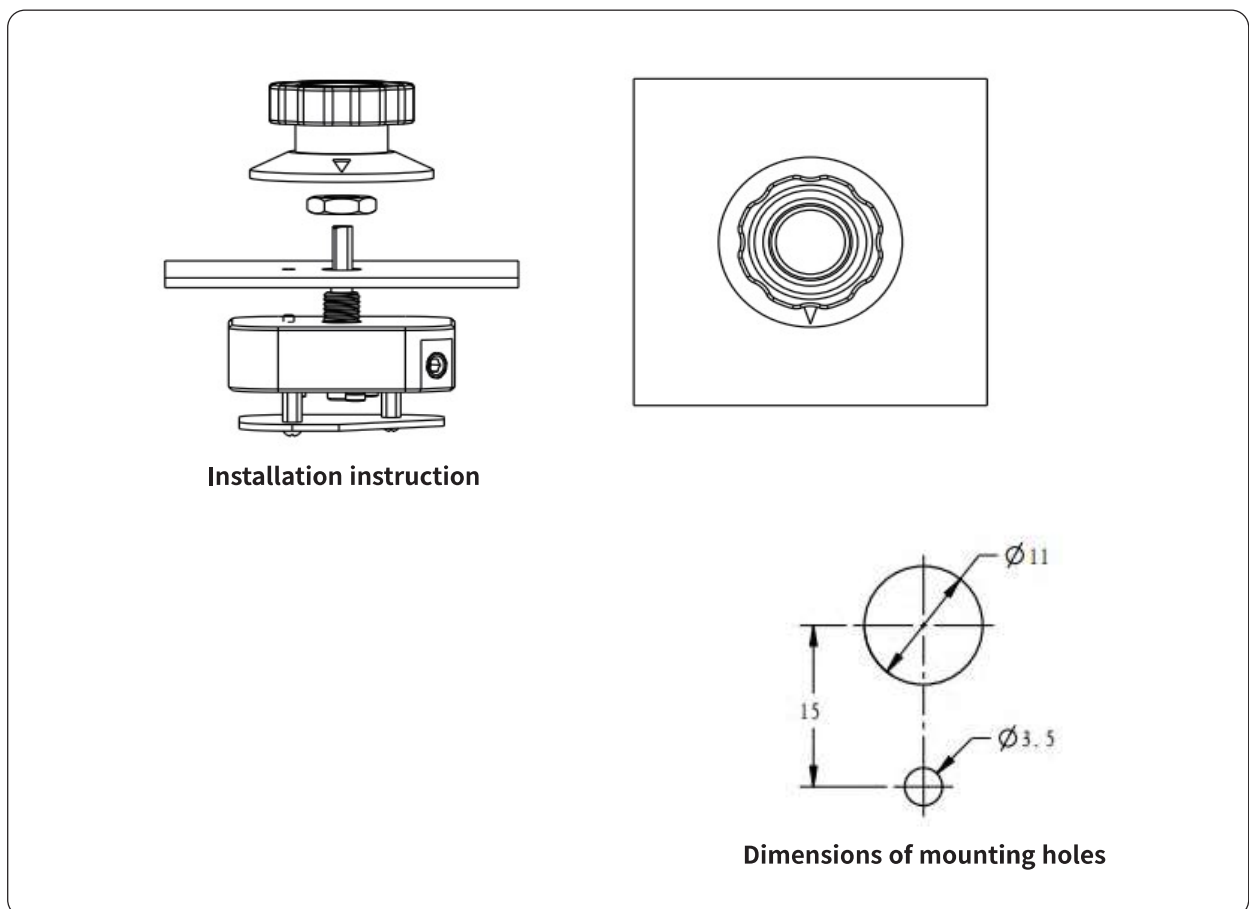
Dimensions



Product Configuration



Product Installation



Operation direction

