

TS4 Series Fingertip Operating Joystick

Product Features

- Fingertip joystick, turning way operation.
- Compact shape, easy to install.
- Friction location, starting band feeling.
- Potentiometer and non-contact hall sensor.
- Different output voltage range.

Application

This series of products are mainly used in industrial engineering remote control, kinds of engineering vehicle or industrial mechanical equipment control panel.



Technical Information

Electrical parameter

Potentiometric sensors	
Supply voltage	12Vdc
Working current	<30mA
Output signal	0.5-4.5Vdc, Dextral augmentation

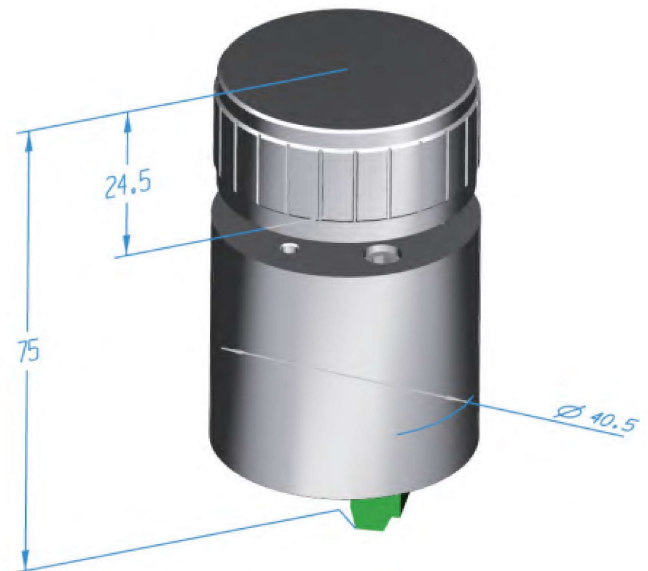
Mechanical parameter

Servive life	>3M
Electrical stroke	270°+/-2°

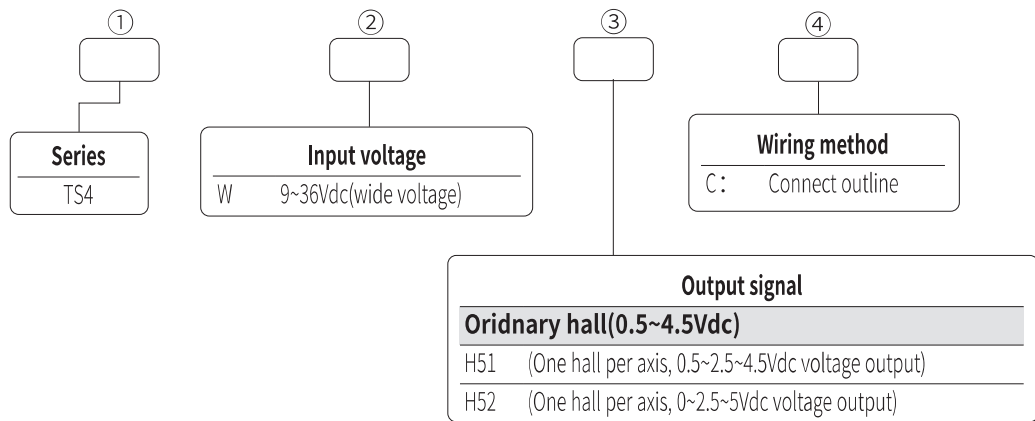
Environmental parameter

Working temperature	-30°C~+70°C
Storage temperature	-40°C~+85°C
Level of protection	IP64

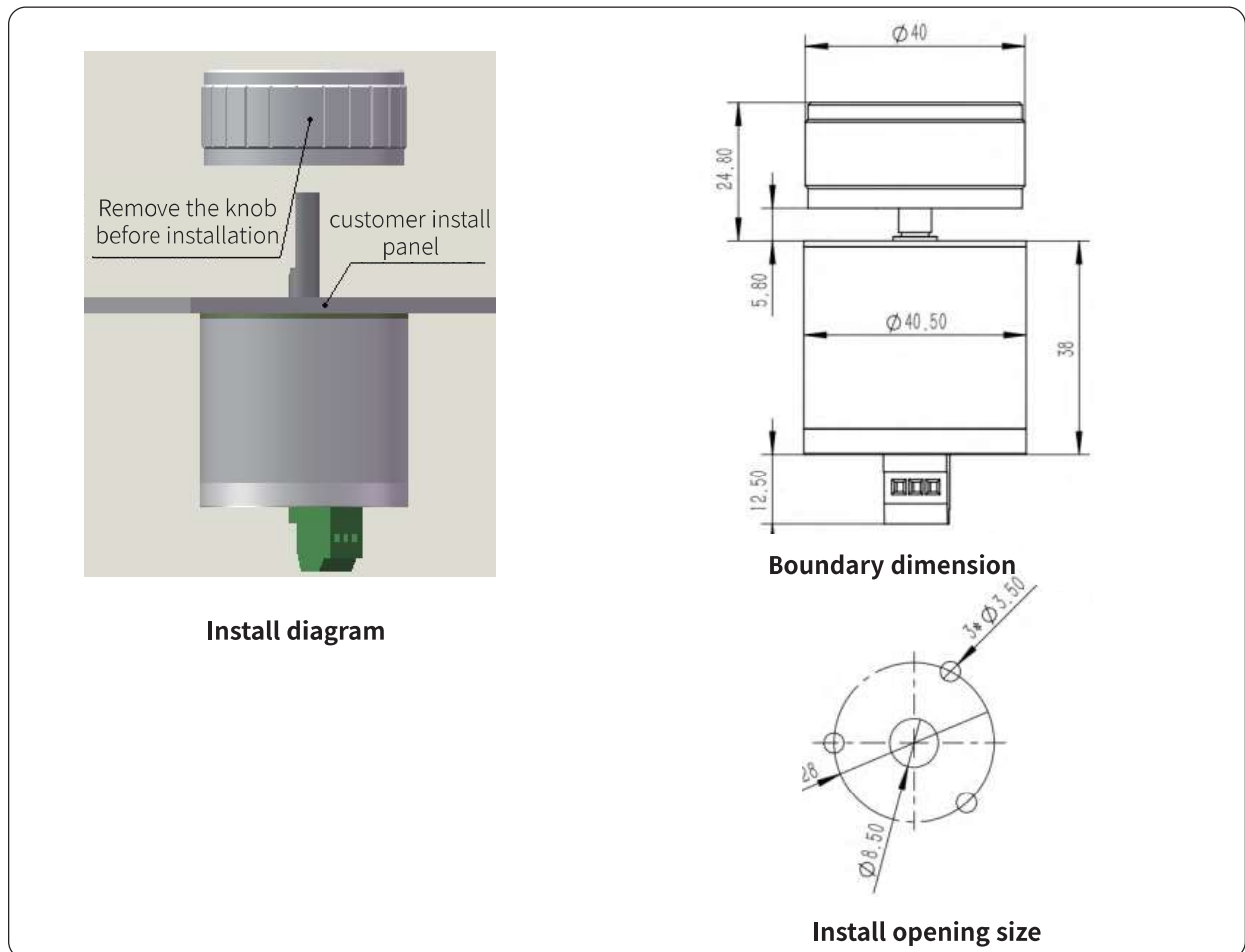
Dimensions



Product Configuration



Product Installation



Electrical Connections

Terminal	Function
VCC	Supply voltage 9-30Vdc
OV	Power 0V
OUT	Hall output