

# TJ500 Series Single Axis Joystick

## Product Features

- Thumb operation
- Spring return
- Uncontact hall effect

## Application

Typical apply on various joysticks, and operating panel.



## Technical Information

### Electrical data

Power supply	$5 \pm 0.5\text{Vdc}$
Electrical angle	$\pm 40^\circ$
Supply current (max)	10mA
Center tap output voltage	$2.5 \pm 0.1\text{V}$
Reverse maximum allowable voltage	-10Vdc
Output linearity tolerance	$< \pm 0.2\text{V}$
Maximum allowable overload voltage	35Vdc

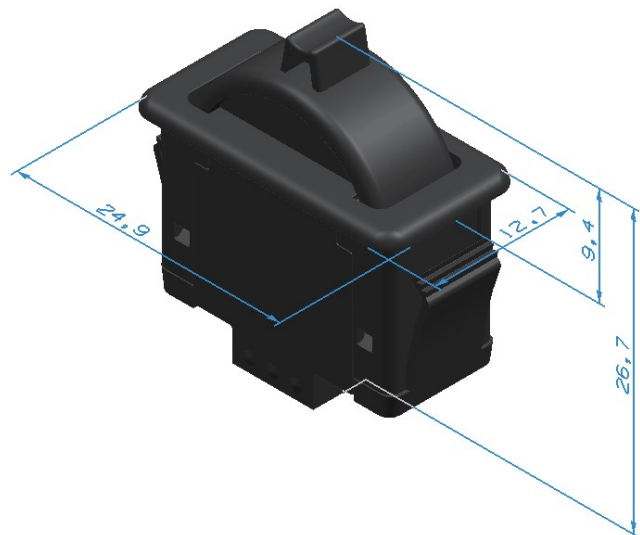
### Mechanical Parameter

Travel angle	$\pm 40^\circ$
Operating type	Spring return
Breakout force	about 2N
Operating force (max)	about 5N
Maximum allowable force	about 100N
Expecting life	>100 thousand cycles
Weight	about 20g

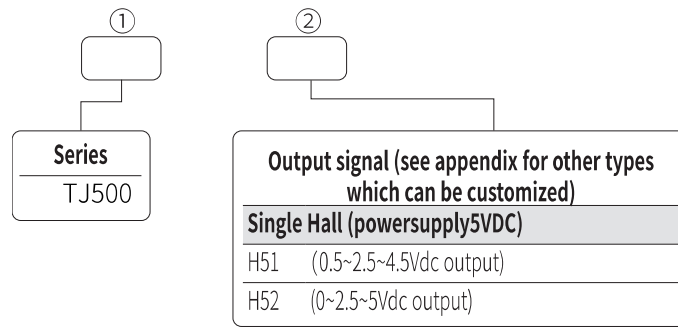
### Environmental data

Operating temperature	$-30^\circ\text{C} \sim +70^\circ\text{C}$
Storage temperature	$-40^\circ\text{C} \sim +85^\circ\text{C}$
Protection level	IP67 (Only for electronic part)

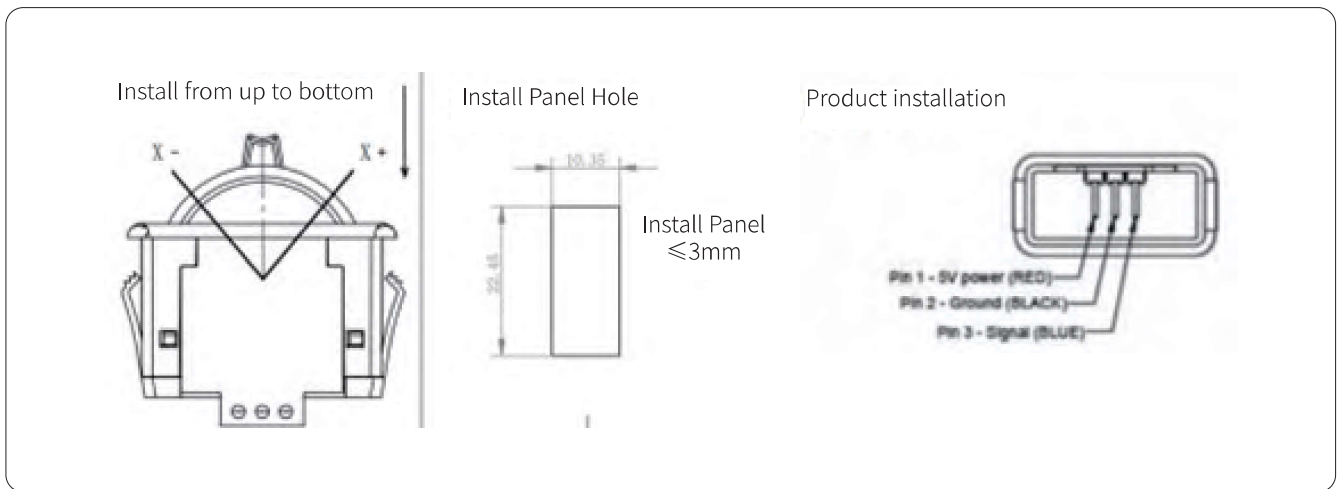
## Dimensions



## Product Configuration



## Product Installation



## Electrical Connections

NO.	Color	Function
1	Red	5V
2	Black	0V
3	Green	OUT