

TJ400 Series Single Axis Joystick

Product Features

- Thumb operation.
- Spring automatic reset.
- Hall no-touch detection.



Application

This series product is mainly used in various operation joystick, operating panels.

Technical Information

Electrical parameter

Power voltage	$5 \pm 0.5\text{Vdc}$
Maximum supply current	10mA
Median output voltage	$2.5 \pm 0.1\text{V}$
Reverse limit allowable voltage	-10Vdc
linear error of output voltage	$< \pm 0.2\text{V}$
limit allowed voltage	35Vdc
Electrical angle in degree	$\pm 35^\circ$

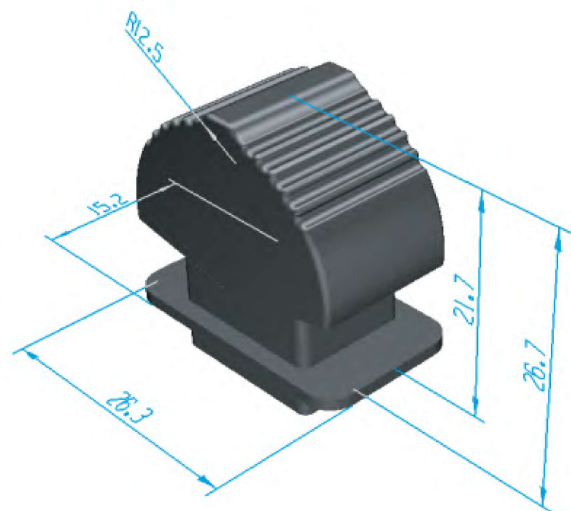
Mechanical parameter

Shaking angle	$\pm 35^\circ$
Operating mode	Automatic spring reset
Starting force	about 2N
Operating force	about 3N
Margin pressure test location	about 100N
Servive life	>1M
Weight	about 15g

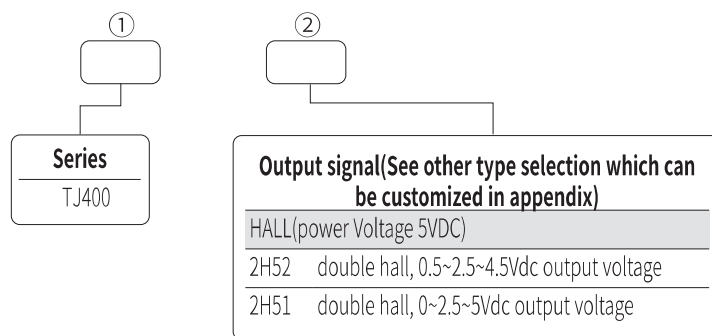
Environmental parameter

Working temperature	$-30^\circ\text{C} \sim +70^\circ\text{C}$
Storage temperature	$-40^\circ\text{C} \sim +85^\circ\text{C}$
Level of protection	IP67 (Just for the electricity part)

Dimensions



Product Configuration



Product Installation

