

TJ300 Series Single Axis Joystick

Product Features

- Finger operation.
- Spring automaticlly reset.
- Hall no-touch detection.



Application

This series products is mainly used in various operating handle,operating panels.

Technical Information

Electrical parameter

Supply voltage	$5 \pm 0.5\text{Vdc}$
Maxium power electricity	10mA
Median output voltage	$2.5 \pm 0.1\text{V}$
Reverse limit allowable voltage	-10Vdc
Linear error of output voltage	$< \pm 0.2\text{V}$
Limit allowed voltage	35Vdc

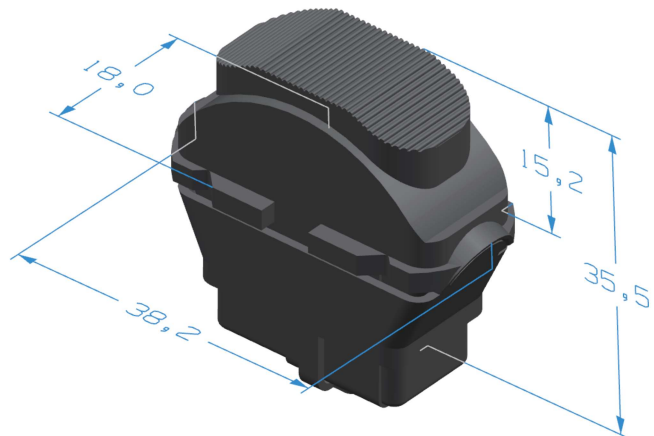
Mechanical parameter

Shaking angle	$\pm 13^\circ$
Operating mode	spring automatic resert
Starting force	about 2N
Operating force	about 9N
Margin pressure test location	about 100N
Servive life	>1M
Weight	about 15g

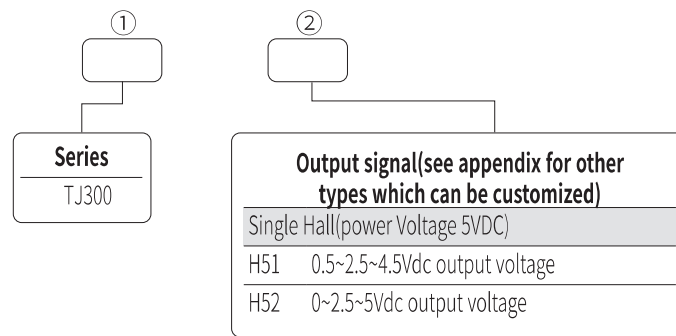
Environmental parameter

Working temperature	$-30\text{C} \sim +70^\circ\text{C}$
Storage temperature	$-40^\circ\text{C} \sim +85^\circ\text{C}$
Level of protection	IP67 (just for the electrical part)

Dimensions



Product Configuration



Product Installation



Electrical Connections

Pin	Colour	Function	Front	Median	Rear
1	Orange	Input 5Vdc	— —	— —	— —
2	Gray	Hall output	4.5 ± 0.2	2.5 ± 0.1	0.5 ± 0.2
3	Black	Power 0V	— —	— —	— —