

TJ200 Series Double Axis Joystick

Product Features

- Thumb operation
- Spring return
- Uncontact hall effect



Application

Typical apply on various joysticks, and operating panel.

Technical Information

Electrical data

Power supply	$5 \pm 0.5\text{Vdc}$
Electrical angle	$\pm 42^\circ$
Supply current (max)	10mA
Center tap output voltage	$2.5 \pm 0.1\text{V}$
Reverse maximum allowable voltage	-10Vdc
Output linearity tolerance	$< \pm 0.2\text{V}$
Maximum allowable overload voltage	35Vdc

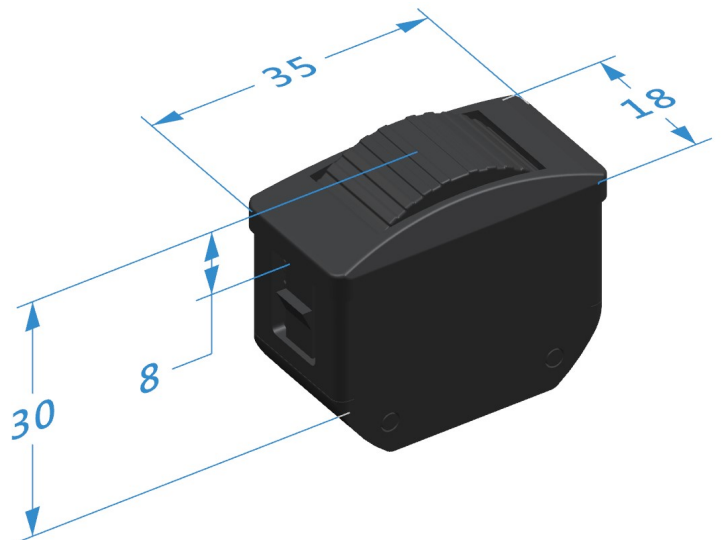
Mechanical features

Travel angle	$\pm 42^\circ$
Operating type	Spring return
Breakout force	about 2N
Operating force (max)	about 11N
Maximum allowable force	100N
Expecting life	>100 thousand cycles
Weight	about 15g

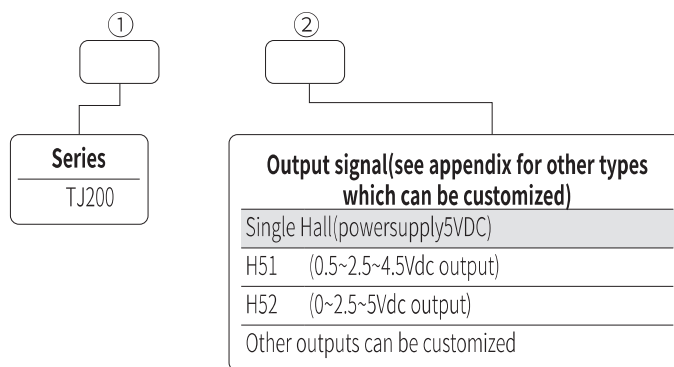
Environmental data

Operating temperature	-30C~+70°C
Storage temperature	-40°C~+85°C
Protection level	IP67 (Electron-only part)

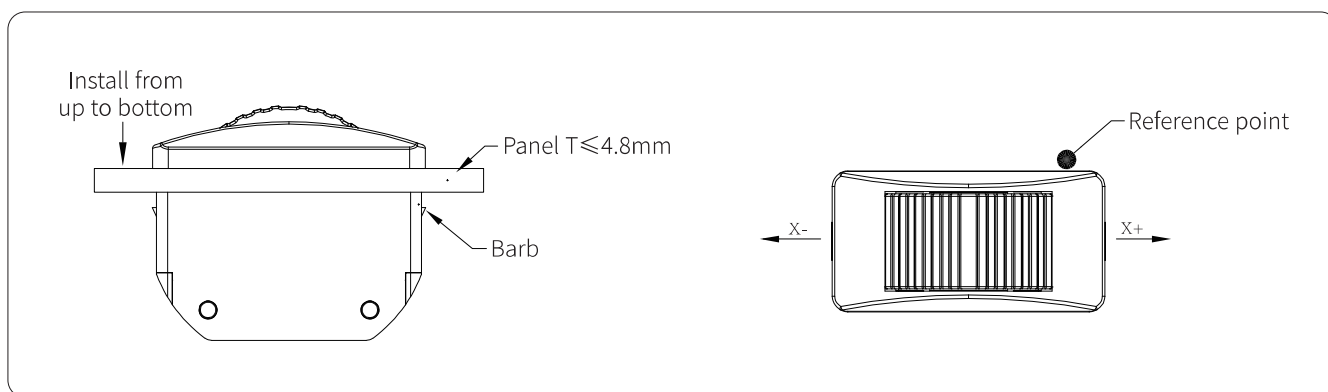
Dimensions



Product Configuration



Product Installation



Electrical Connections

NO.	Color	Function
1	Red	5V
2	Black	0V
3	Green	OUT