

TJ130/131 Series Single Axis Joystick

Product Features

- Fingertip type single shaft handle, forward and backward direction operation.
- Automatic spring reset.(Note ※TJ131 with positioning lock)
- Compact and easy to install.
- Non-contact Hall sensor.
- Reliable structure, no dust cover, suitable for all kinds of harsh environment.
- The handle is covered with adhesive, comfortable to touch, and the color can be specified.
- Various modes of optional



Application

This series of products are mainly used in industrial remote control, various engineering vehicles or industrial machinery and equipment control panel.

Technical Information

Electrical parameter

Supply voltage	5.0 ± 0.5Vdc (standard voltage)
Supply current	<9mA
Limit allowable voltage	20Vdc
Reverse limit allowable voltage	-10Vdc
load resistance	>10KΩ
Median output voltage	2.5 ± 0.1V
Linear error of output voltage	<± 2%

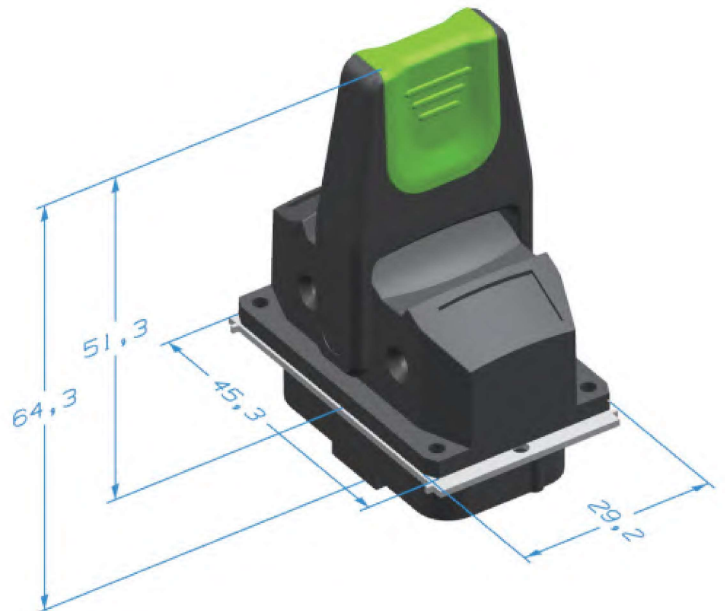
Mechanical features

Travel angle	about ± 30°
Operating mode	Automatic spring reset
Starting force	1.3N
Maximum operating force	3N
Margin pressure test location	>30N
Service life	>2M
Weight	45g

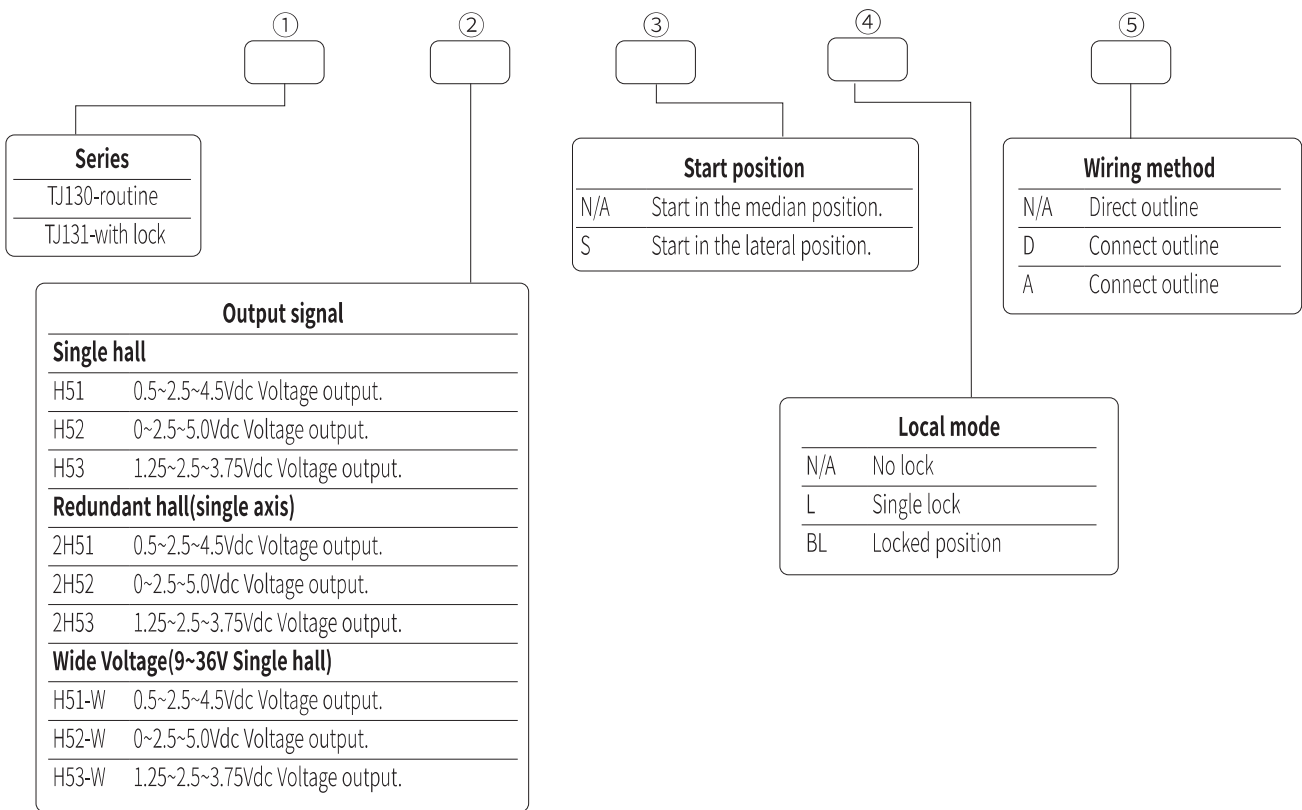
Environmental parameter

Working temperature	-30°C~+70°C
Storage temperature	-40°C~+85°C
Level of protection	IP65 (Just for the electric part)

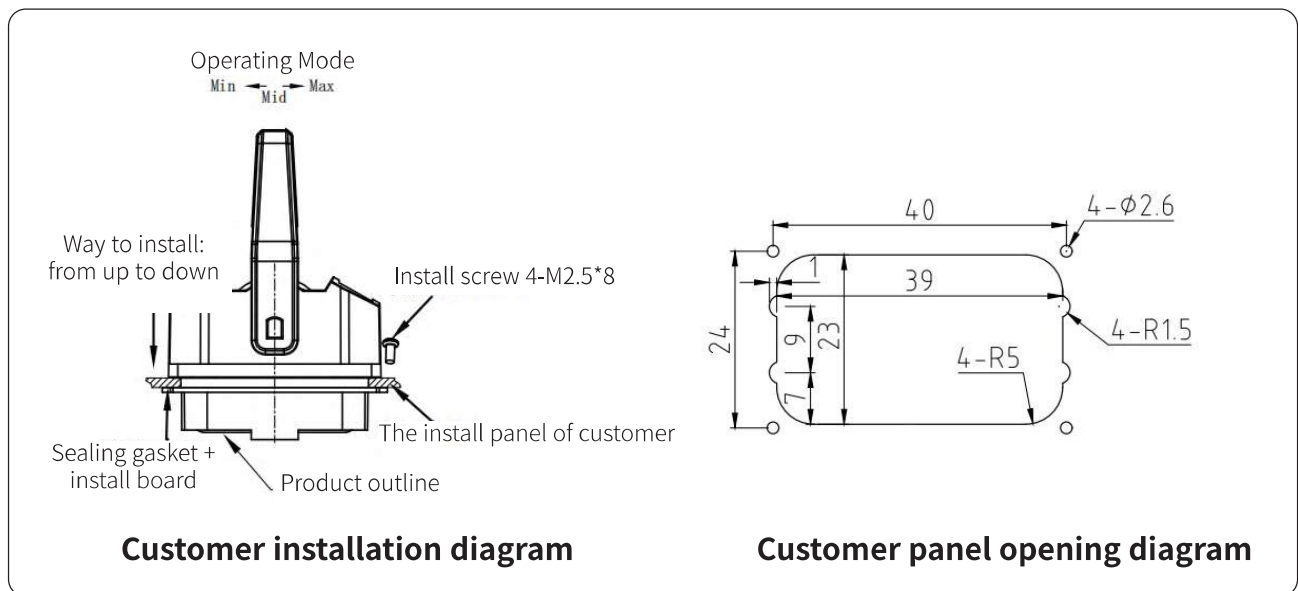
Dimensions



Product Configuration



Product Installation



Electrical Connections

Direct outline

Line colour	Function
Red	Input voltage -5V
Black	0V
Yellow	Output