

TJ100 Series Single Axis Joystick

Product Features

- Ergonomic design, comfortable grip, strong and durable.
- Single-axis finger operated, forward and backward directional operated.
- Small size and more joysticks could be installed and operated side by side.

Application

Typical apply on remote control unit, off-highway vehicle and industrial panel control.

Technical Information

Electrical data

Power supply	$5 \pm 0.5\text{Vdc}$
Max Current	<9mA
Maximum allowable overload voltage	30Vdc
Reverse maximum allowable voltage	-10Vdc
Load resistance	10 k Ω
Center voltage	$2.5\text{V} \pm 0.1\text{V}$
Output linearity tolerance	< $\pm 3\%$

Mechanical features

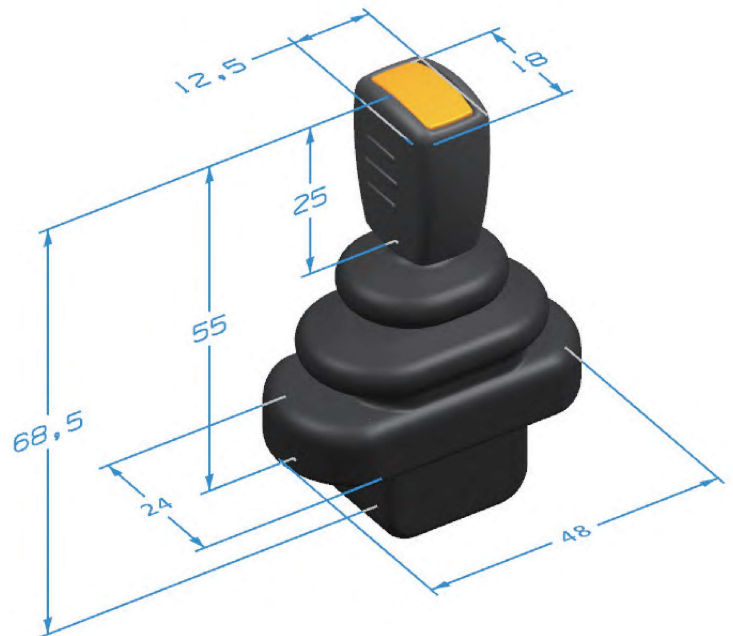
Travel angle	$\pm 20^\circ$
Operating type	Spring return
Operating force(max)	150~200N
Expecting life	> 1 million
Weight	$48 \pm 5\text{g}$
Operating force	5-8N

Environmental data

Operating temperature	$-30^\circ\text{C} \sim +70^\circ\text{C}$
Storage temperature	$-40^\circ\text{C} \sim +85^\circ\text{C}$
Protection level	IP68

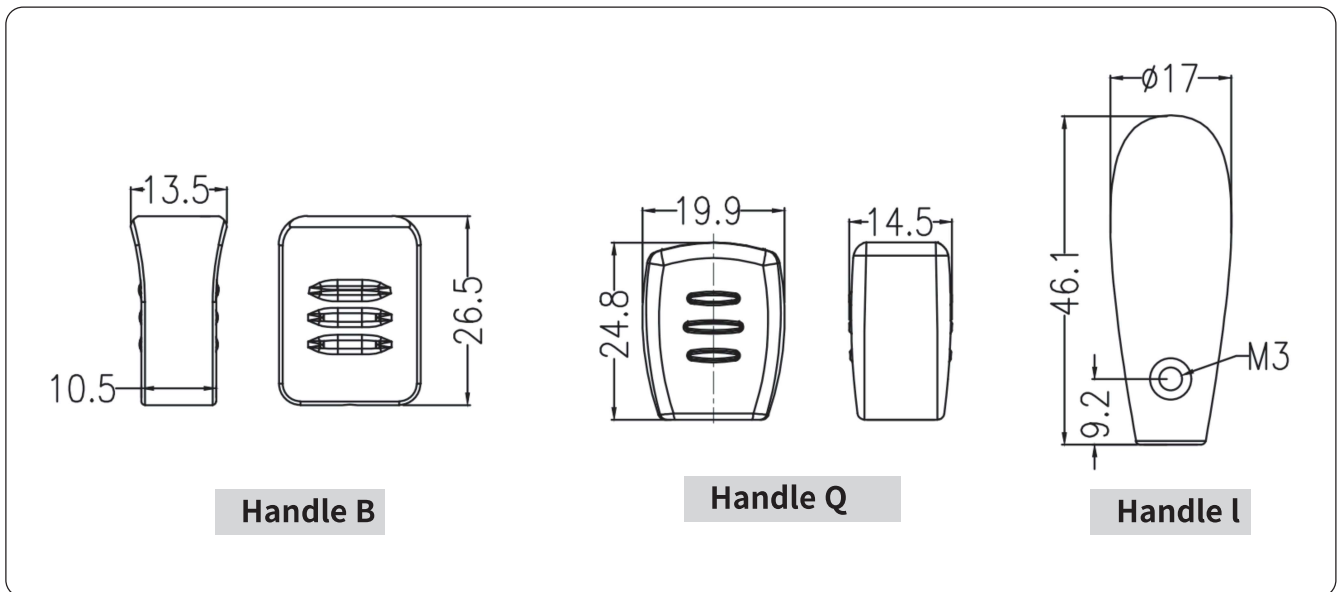
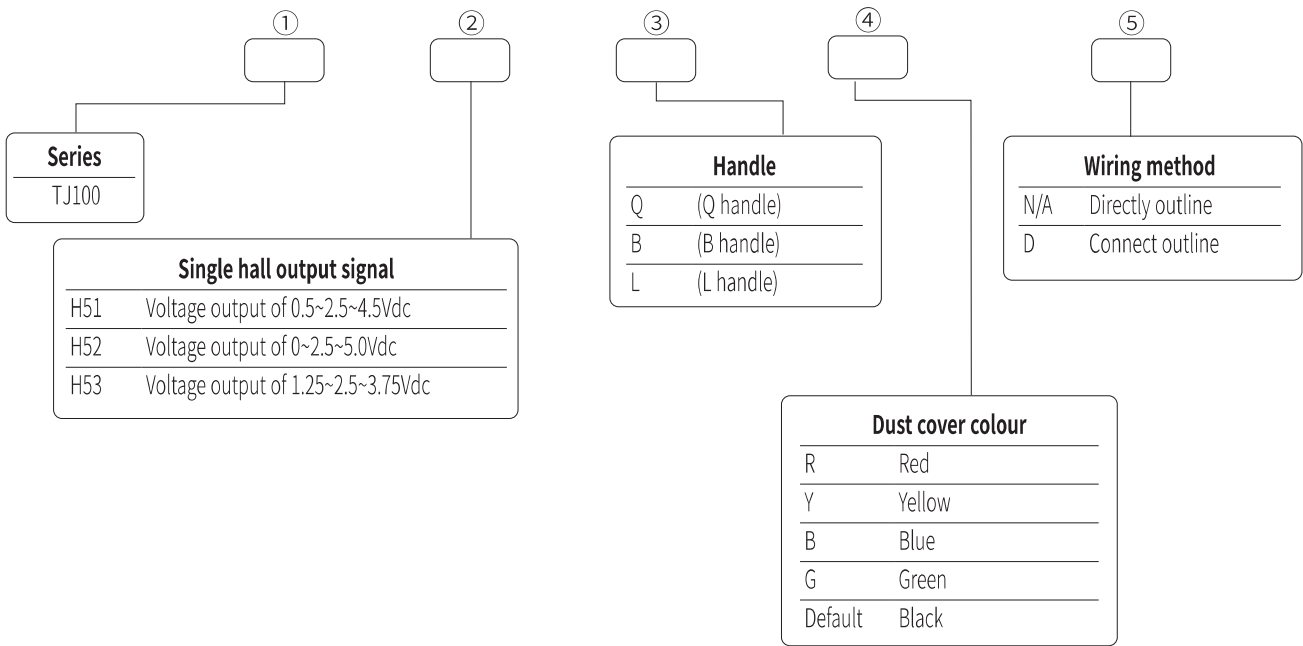
Interface information

- 0.2mm² high temperature wire line (color is optional);
- Generally output line directly without connector (connector is optional if request);
- Handle color can be customized;
- Negotiate in advance if has special requirements.



Q Grip

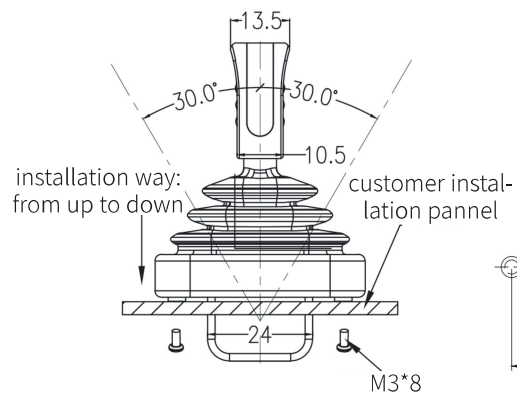
Product Configuration



Electrical Connections

Color	Function
Black	GND
Red	5V
Yellow	Output

Product Installation



Hole Size

