

LT92 Series Single Axis Joystick

Product Features

- Friction type single axis handle with Z limit.
- It CAN be applied to the CAN 2.0B universal protocol
- Customizable CAN protocol for customers.
- Various handle upper ends can be configured.

Application

Agricultural sugarcane machine, cotton picker and other agricultural machinery.

Technical Information

Electrical parameter

Supply voltage	9~36Vdc
Maximum supply voltage	36Vdc
Maximum overload voltage	36Vdc
Maximum reverse polarity voltage	/
Load resistance	1kΩ
Output type	CAN 2.0B
Linear error of output voltage	< ±0.2V

Mechanical parameter

Shaking angle	Forward+35° Backward-20°(Angle adjustable)
Operating mode	Back and forth friction type, reset to the feel slot in the middle.
Starting force	Starting force 5kgf ±0.5kgf
Maximum operating force	100kgf
Margin pressure test location	>300N
Service life	> 500,000 times
Weight	About 780g
Conventional operating moment	4-55kgfvc

Environmental parameter

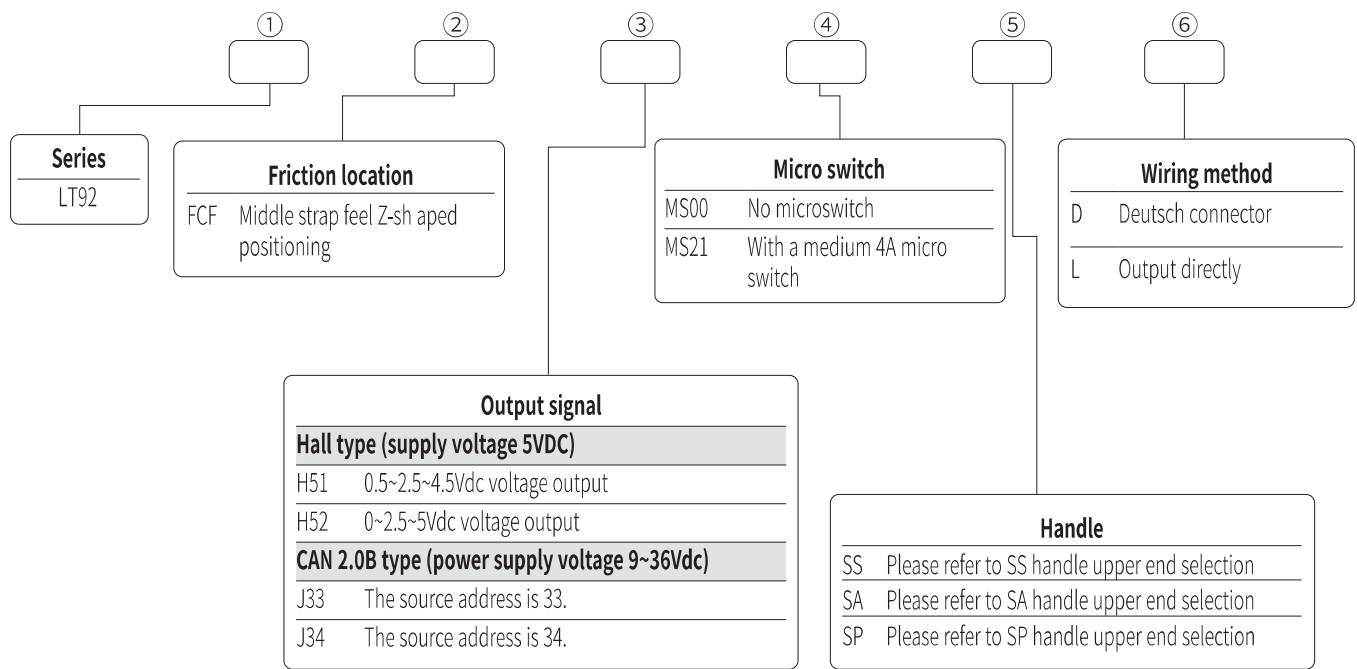
Operating temperature	-30C~+70°C
Storage temperature	-40°C~+85°C
Level of protection	IP65



Dimensions



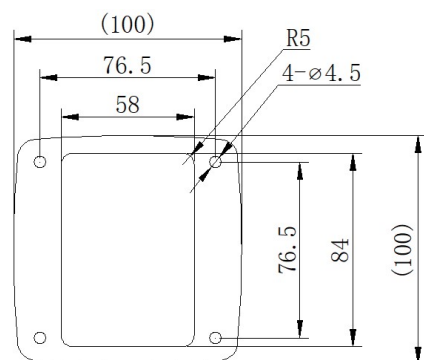
Product Configuration



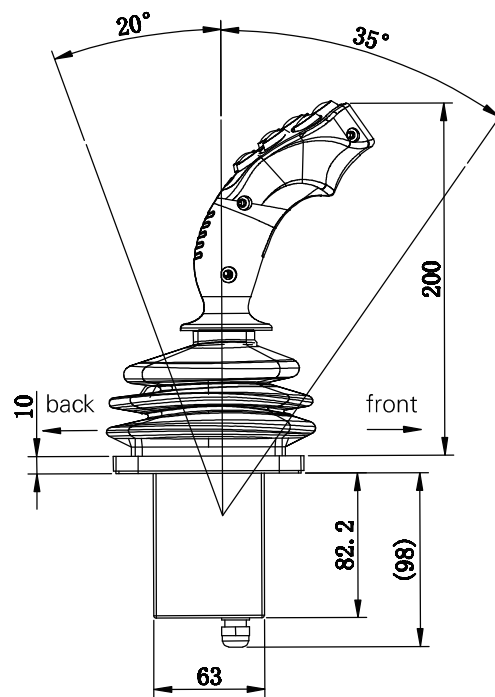
Product Installation



Customer installation diagram



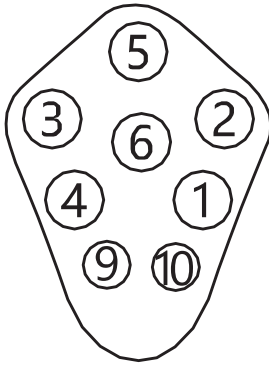
Customer panel opening diagram



Single axis operation direction definition

Note: The installation direction is from bottom to top. You are advised to install the joystick on the panel whose thickness is not greater than 4mm using M4*10 screws.

Electrical Connections



Button definition:

Top button for safety number 7

The switch is number 8

Optional button color:



4 core Dechi plug-in wiring

Pin	Connection
1	VCC
2	GND
3	CANH
4	CANL

