

LT90 Series Multi Gear Joystick

Product Features

- Grip type handle.
- Left and right direction spring self-reset.
- Large current switching output.
- Six gears, front, center, rear.

Application

This series of products are mainly used in engineering vehicle transmission.

Technical Information

Electrical parameter

Hall	
Supply voltage	24Vdc
Working voltage	20-32Vdc
Maximum current	4A

Mechanical parameter

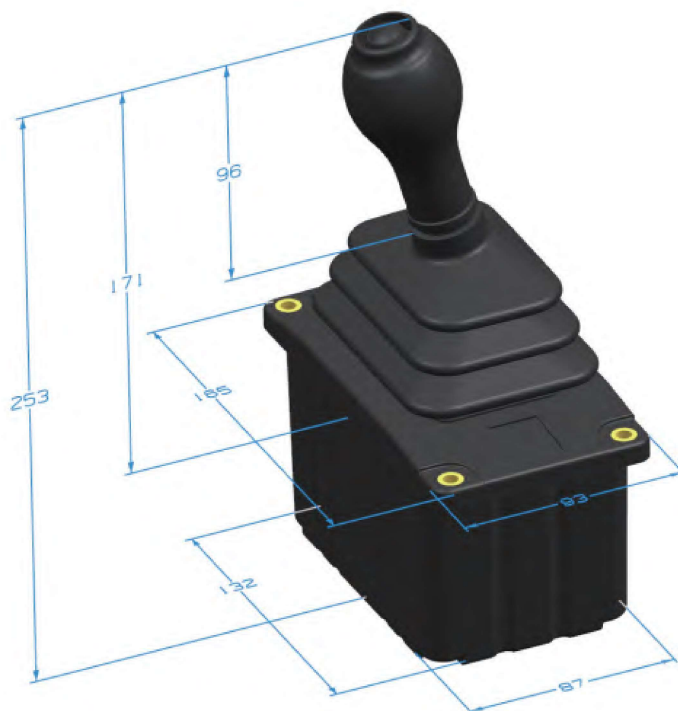
Shaking angle	$\pm 15^\circ$ (X-axis)
Operating mode	X-axis spring return Y-axis front, center, and rear three gears.
Starting force	5N
Maximum operating force	25N
Limiting force	>300N
Service life	>1M
Weight	1260g

Environmental parameter

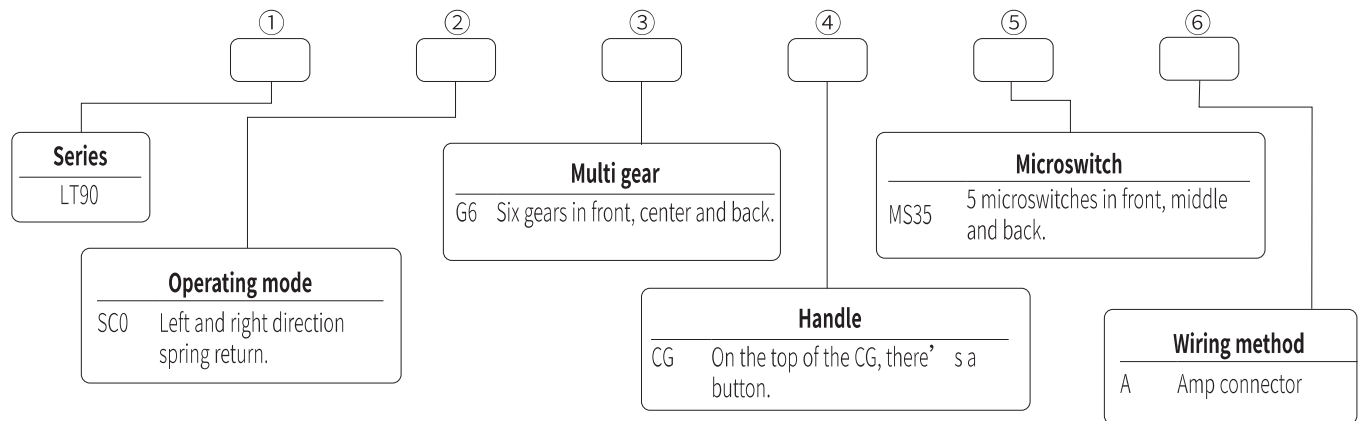
Operating temperature	-30C~+70°C
Storage temperature	-40°C~+85°C
Level of protection	IP64



Dimensions



Product Configuration



Product Installation

Customer installation diagram

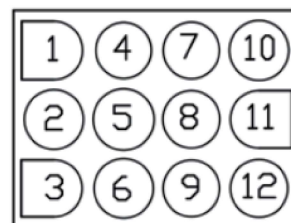
Note: The handle is installed from top to bottom with M6 screws

Customer panel opening diagram

Electrical Connections

Pin	Function
1	N/A
2	COM
3	N/A
4	F
5	N
6	R
7	T+
8	T-
9	N/A
10	Upper button
11	N/A
12	N/A

Interface pin



Direction definition

