

LT81 series lever type multi-head operation handle

Product Features

- Spring return, two - or three-headed handle available;
- Long life new structure;
- Non-contact Hall Angle detection sensor;
- Voltage output or CAN output is optional;

Application

Loaders, etc.

Technical Information

Electrical data

Hall	
Power voltage	5 ± 0.5Vdc
Power current	<11mA (Each Hall sensor)
Limit allowable overvoltage	20Vdc
Reverse limit allowable voltage	-10Vdc
Output voltage linear error	< ± 0.2V
CAN Bus	
Power voltage	9~36Vdc
CAN	CAN2.0B
Agreement	J1939
Connecting port	4-pin Deutsch

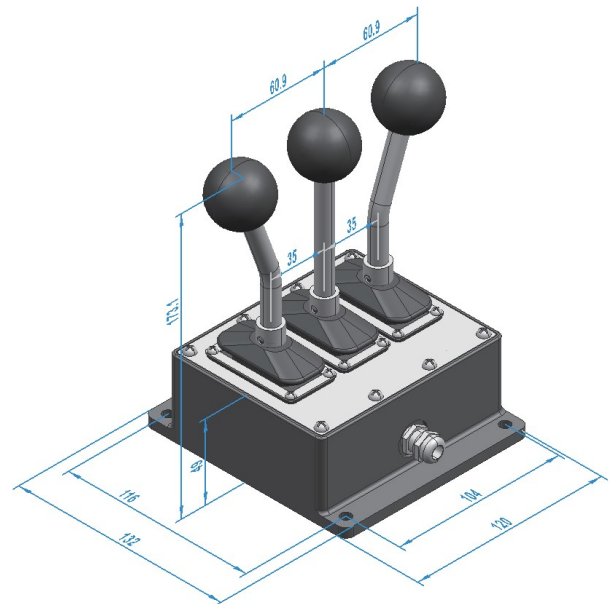
Installation

Travel angle	± 20°
Operating type	Automatical spring reset
Breakout force	3N
Operating force(max)	8N
Maximum allowable force	>300N
Expecting life	3 million cycles
Weight	1500g

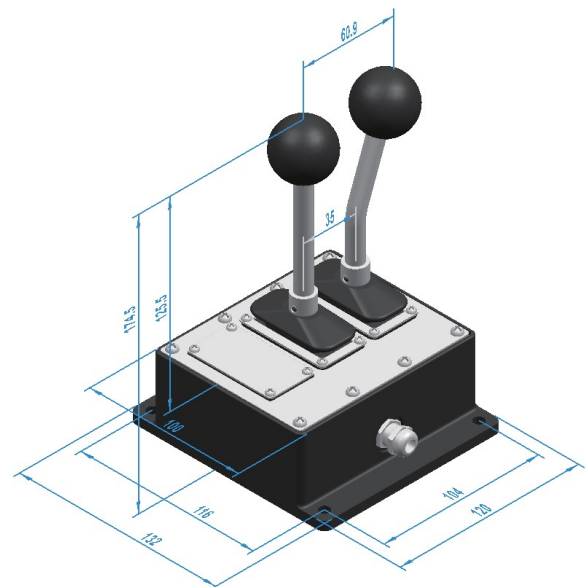
Environmental data

Operating Temperature	-30°C ~ +70°C
Storage Temperature	-40°C ~ +85°C
Protection level	IP65(Mounting panel above)

Dimensions

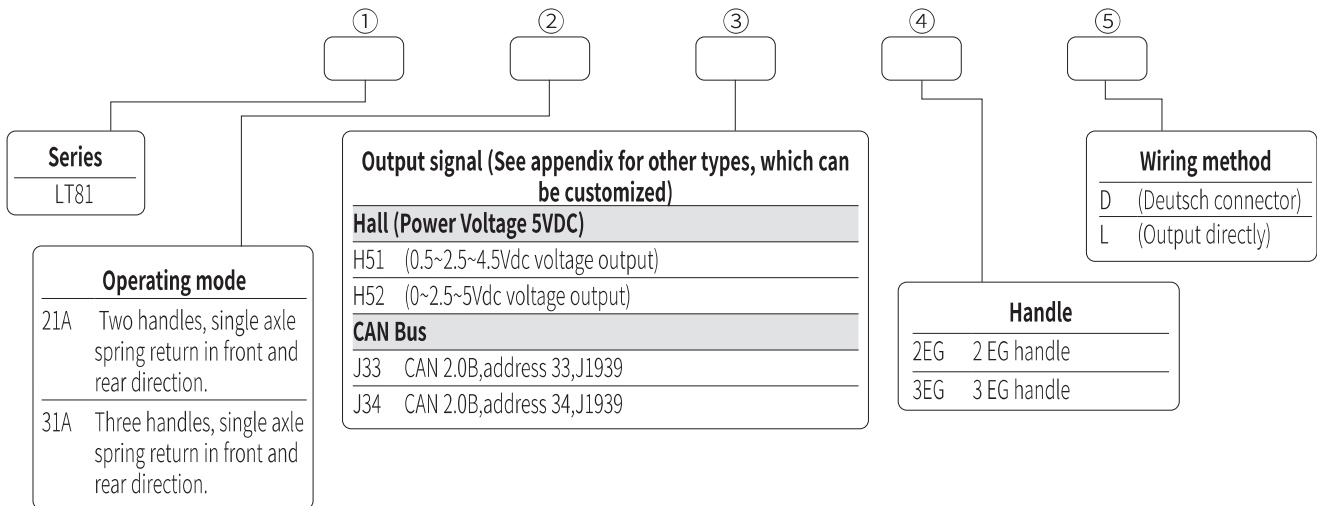


3EG

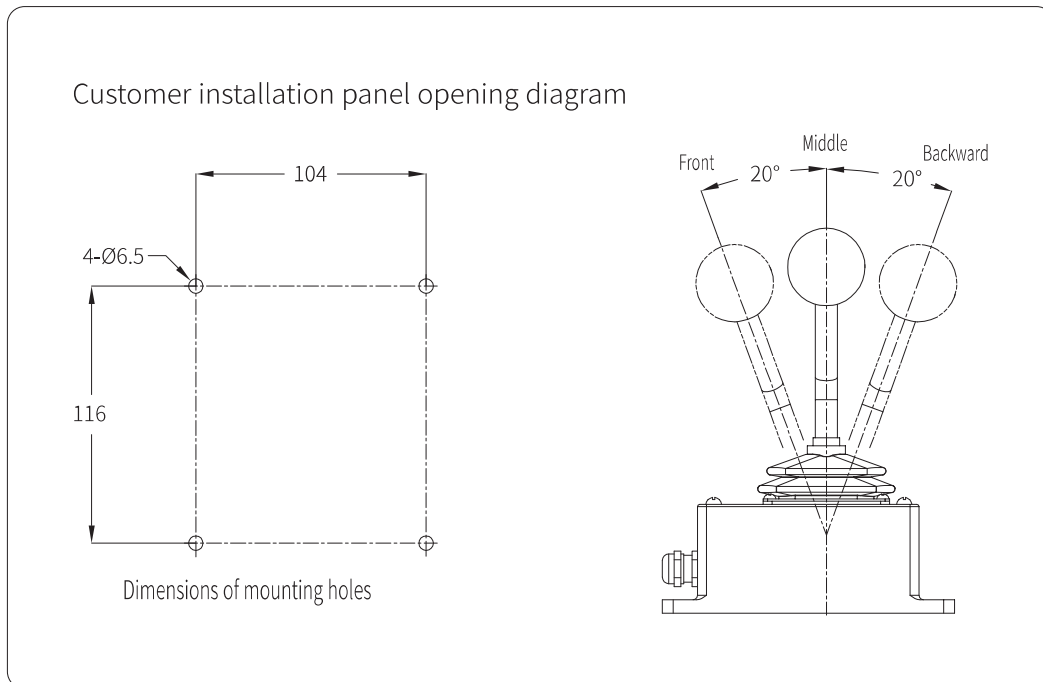


2EG

Product Configuration




Product Installation



Electrical Connections

Wiring instructions

Pin	Feature	DEUTSCH DT04-4-CE03
1	Vcc	
2	GND	
3	Can High	
4	Can Low	