

LT8 Series Multi Axis Joystick

Product Features

- Hall-effect angle detection, long life.
- Spring return.
- Various output voltage range optional.
- Various handle optional.

Application

Typical application on aerial platform vehicle, fire-fighter platform vehicle, scissor platform vehicle and other off-highway equipment.



Technical Information

Electrical Data

Hall or With Electronic Amplifier	
Power supply	5 ± 0.5Vdc OR With electronic amplifier 9~36Vdc
Power supply current	<9mA (without handle) <18mA (with BWH)
Maximum allowance overload voltage	30Vdc
Reverse polarity voltage(max)	15Vdc
Output linearity tolerance	< ± 0.2V
Analog rocker switch power supply	5.0 ± 0.5Vdc
Analog rocker switch output voltage	1.15~2.5~3.85V

Mechanical features

Travel angle	± 18°
Operating type	Spring return
Breakout force	9N
Operating force (max)	18N
Maximum allowable force	>300N
Expecting life	>2 million cycles
Weight	420g (without handle)

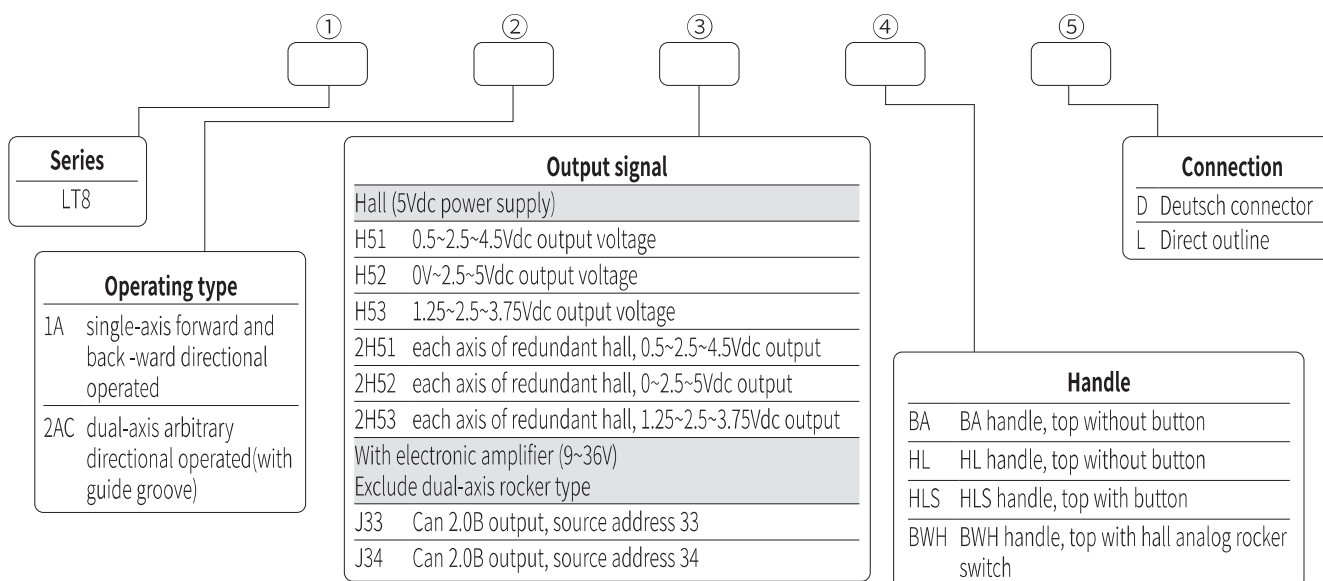
Environmental data

Operating Temperature	-30°C ~ +70°C
Storage Temperature	-40°C ~ +85°C
Protection level	IP67

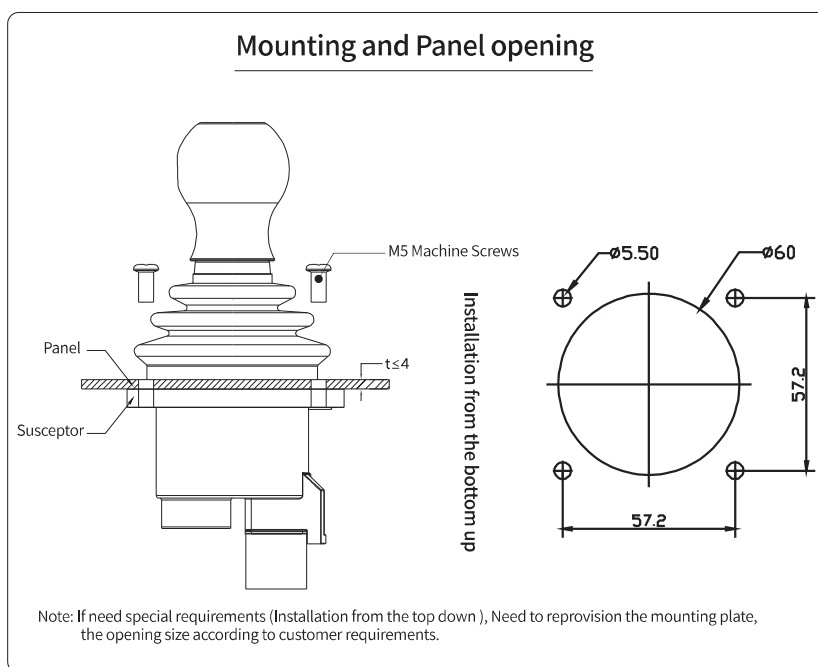
Dimensions



Product Configuration



Product Installation



Electrical Connections

Deutsch 6-pin connections

Pin	Function
1	0V
2	5V
3	X out
4	Y out
5	Rocker analog output/Button
6	NA/Button

