

LT77 Series Multi Axis Joystick

Product Features

- Ergonomic design, mainly for high-altitude working shear fork vehicle design application.
- The non-contact Hall sensor detects the operating Angle.
- Spring return handle in the form of uniaxial forward and backward direction operation.
- The upper end type and the signal type can be customized.
- Expandable CAN bus output.

Application

This series of products are mainly used in high altitude working shear forklift, can be extended to other construction machinery vehicles.



Technical Information

Electrical data

Hall

Supply voltage	$5 \pm 0.5\text{Vdc}$
Power supply current (rated power supply current)	<11 mA (Single axis), 22mA (Dual-axis)
Limit allowed overvoltage	20Vdc
Reverse limit allowable voltage	-10Vdc
Linear error of output voltage	$< \pm 0.1\text{V}$

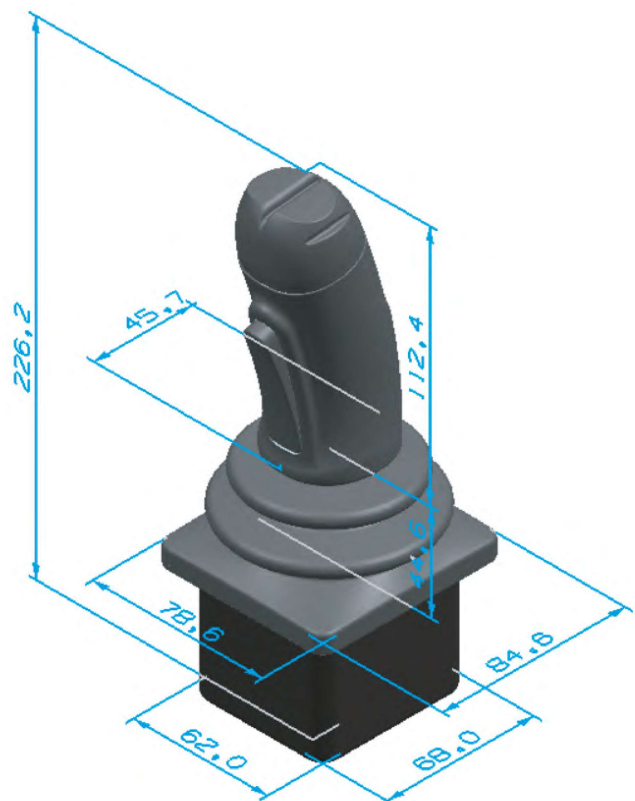
Mechanical parameter

Shaking Angle	$\pm 20^\circ$
Operating mode	Automatic spring reset
Starting force	5N
Maximum operating force	11N
Limiting force	>300N
Service life	>2M
Weight	About 560g (including handle)

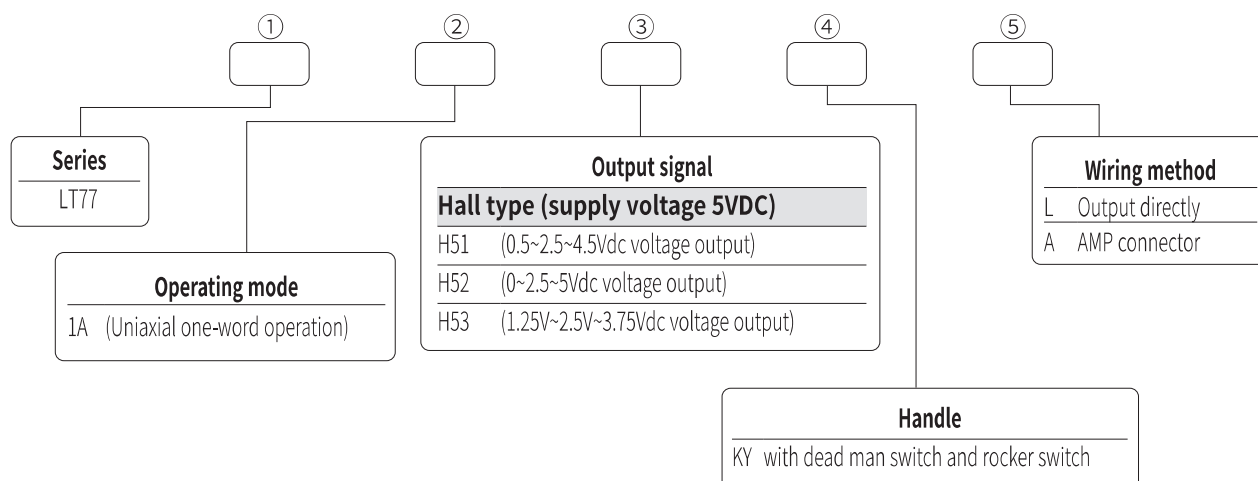
Environmental parameter

Operating temperature	$-30^\circ\text{C} \sim +70^\circ\text{C}$
Storage temperature	$-40^\circ\text{C} \sim +85^\circ\text{C}$
Level of protection	IP66 (Above mounting panel)

Dimensions



Product Configuration



Product Installation



Electrical Connections

14 core connector outgoing cable definition

Pin	line color	Function
1	grey	Y-axis output (forward and backward direction)
2	yellow	Y-axis redundant output (forward and backward direction)
3	blue	Common rocker switch
4	blue	Deadman switch
5	purple	Deadman switch
6	black	Left rocker switch
7	red	Right rocker switch
8-11	--	--
12	white	Supply voltage 5Vdc
13	brown	Power supply 0V
14	--	--