

LT70 Series Multi Axis Joystick

Product Features

- Spring return, single-axis or dual-axis operated.
- Cross direction or arbitrary direction operated optional.
- Hall effect angle detection long life.
- Various output option.
- Optional wide voltage 9 to 36Vdc application environment.

Application

Typical application on Cranes, loaders, Forklifts, excavators, access platform, tractors, harvesters, and so on.



Technical Information

Electrical data

Hall	
Power supply	5 ± 0.5Vdc
Supply current (nominal power supply):	< 11 mA (Single axis), < 22mA (Dual-axis)
Maximum allowable overload voltage	20Vdc
Reverse maximum allowable voltage	-10Vdc
Output linearity tolerance	< ± 0.2V

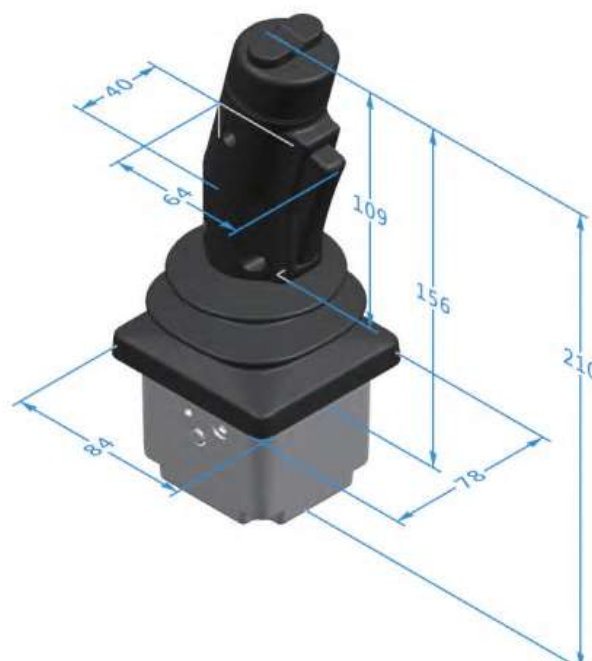
Mechanical features

Travel angle	± 20°
Operating type	Spring return
Breakout force	9N
Operating force(max)	20N
Maximum allowable force	> 300N
Expecting life	> 1million cycles (Hall effect)
Weight	450g (Without handle)

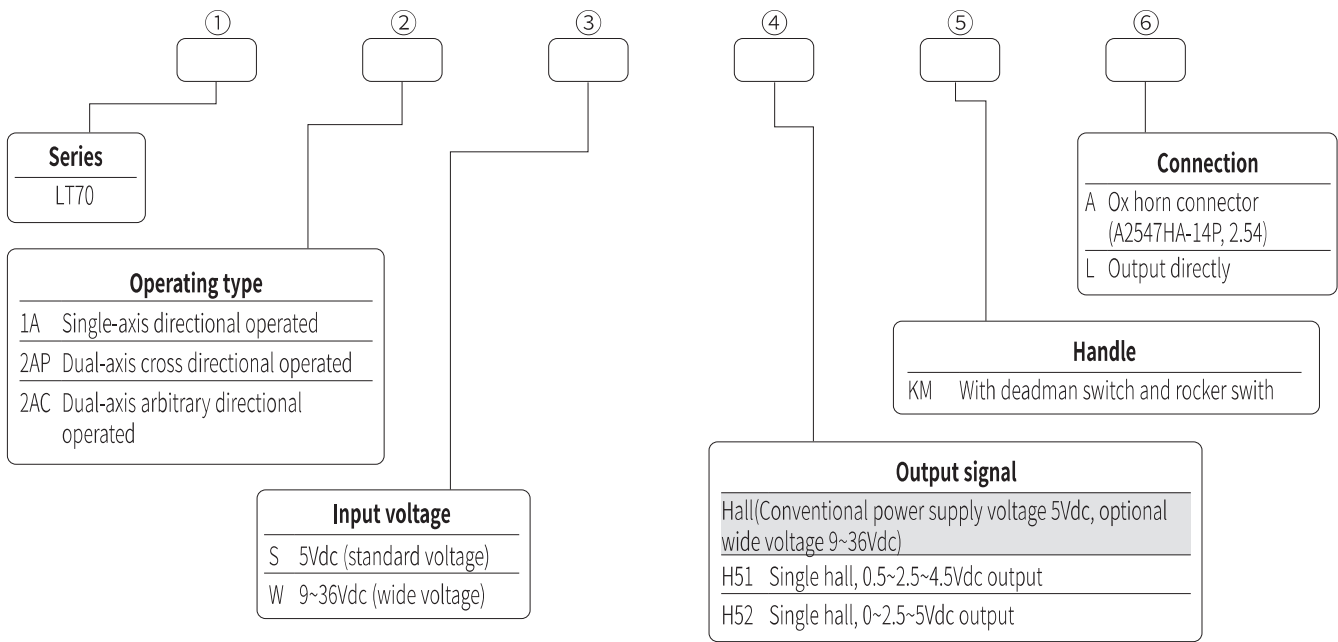
Environmental data

Operating temperature	-30°C ~ +70°C
Storage temperature	-40°C ~ +85°C
Protection level	IP65 (Above the flange)

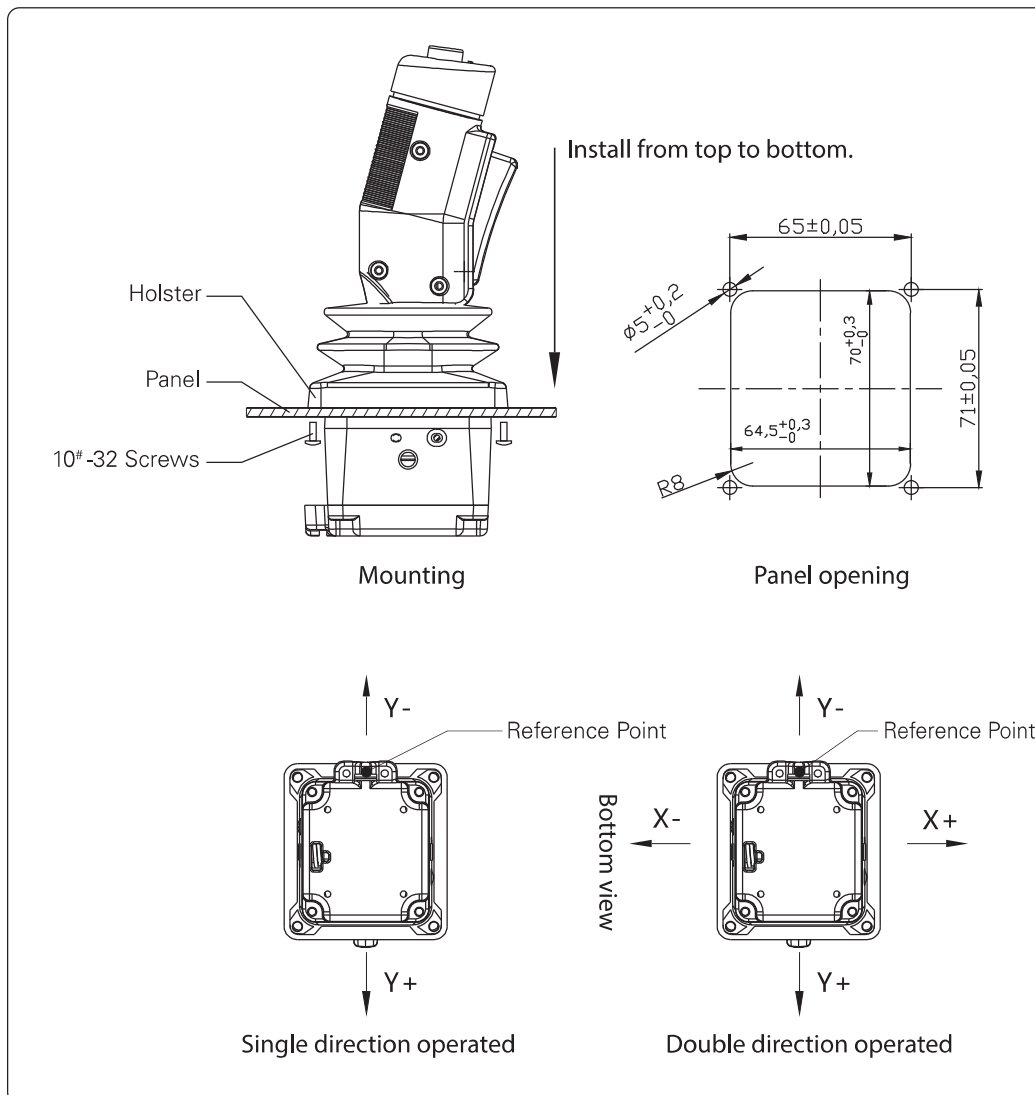
Dimensions



Product Configuration



Product Installation



Electrical Connections

Redundant hall	
Color	Function
Grey	Y-axis (forward and backward)
Yellow	Y-axis Redundant output (forward and backward)
Blue	Common terminal of Rocker switch
Purple	Deadman switch
Orange	Deadman switch
Black	Rocker switch (left)
Red	Rocker switch (right)
Green	X-axis (left and right)
Green&Black	X-axis Redundant output (left and right)
White	Power supply
Brown	0V

Hall effect	
Color	Function
Grey	Y-axis (left and right)
Yellow	X-axis (left and right)
Blue	Common terminal of Rocker switch
Purple	Deadman switch
Orange	Deadman switch
Black	Rocker switch (left)
Red	Rocker switch (right)
White	Power supply
Brown	0V

