

# LT42 Series Joystick

## Product Features

- Spring return, two axis operation in any direction.
- Hall sensor.
- The output is programmable.
- Set up the output signal device.

## Application

Mainly used in proportional valve control.

## Technical Information

### With electronic amplifier

Hall	
Power supply	9-36Vdc
Supply current	22mA
Maximum allowable overload voltage	45Vdc
Reverse maximum allowable voltage	-10Vdc
Output linearity tolerance	$<\pm 0.1V$

### Mechanical features

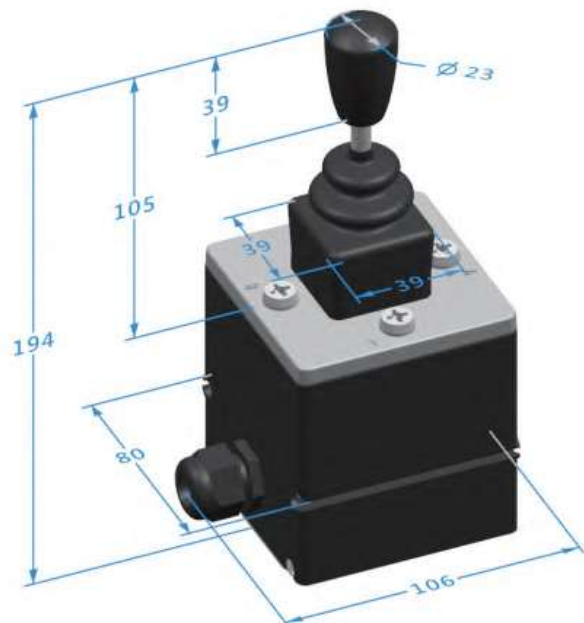
Travel angle	$\pm 20^\circ$
Operating type	Spring return
Breakout force	2.5N
Operating force(max)	5.5N
Maximum allowable force	>300N
Expecting life	>1million cycles
Weight	400g

### Environmental data

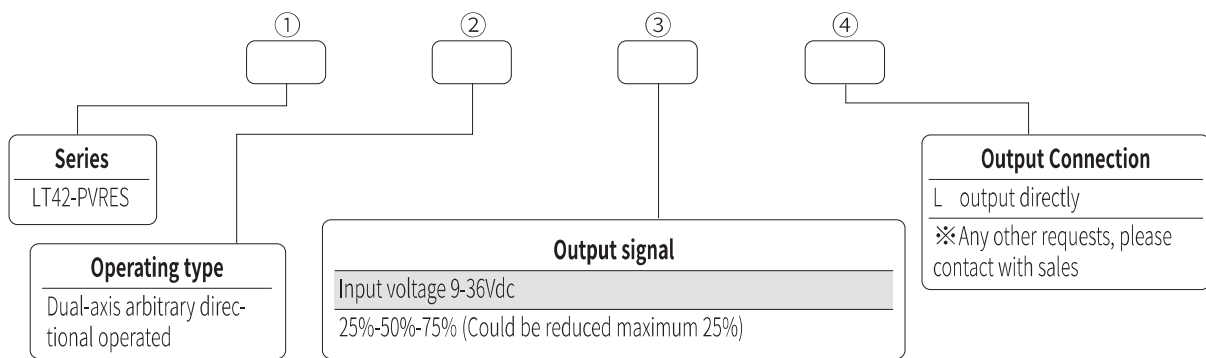
Operating temperature	-30°C~+70°C
Storage temperature	-40°C~+85°C
Protection level	IP65 (Above the flange)



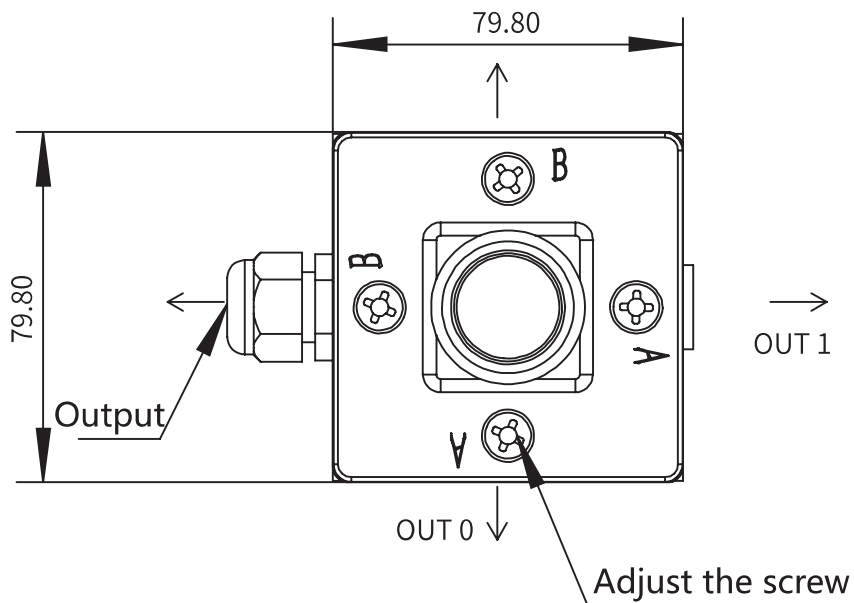
## Dimensions



## Product Configuration



## Product Installation



## Electrical Connections

### output directly

Color	Function
Red	VCC
Black	GND
White and Red	Mircoswitch 1
White and Blue	Mircoswitch 2
Yellow	OUT0
White and green	OUT1