

LT40 Series Handle

Product Features

- Built-in non-contact Hall device detects Angle changes for long life.
- The spring automatically resets.
- Different output voltage ranges can be selected as required.
- Various handle upper ends can be configured.
- Can replace P+G JC4000 series handle .

Application

This series of products are mainly used in aerial work vehicles, a erial platform equipment and other engineering vehicles.

Technical Information

Electrical Data

Hall or tape conversion circuit	
mains input	$5 \pm 0.5\text{Vdc}$ or CAN bus 9~36Vdc wide voltage input
supply current	<9mA (No handle) <18mA (BWH handle)
Limit allowable overvoltage	20Vdc
Reverse limit allowable voltage	15Vdc
Output voltage linear error	$< \pm 0.2\text{V}$

Mechanical Parameter

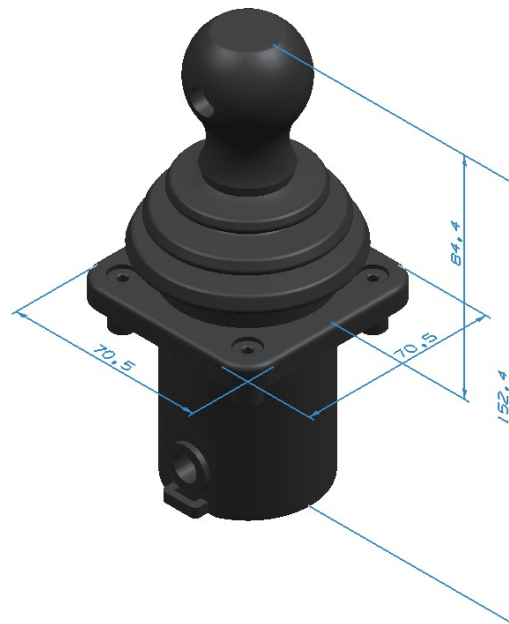
Shaking angle	$\pm 18^\circ$
Operating mode	Automatic spring reset
Starting force	9N
Maximum operating force	18N
Limiting force	>300N
Using life	>100 M
Weight	420g (No handle)

Environmental data

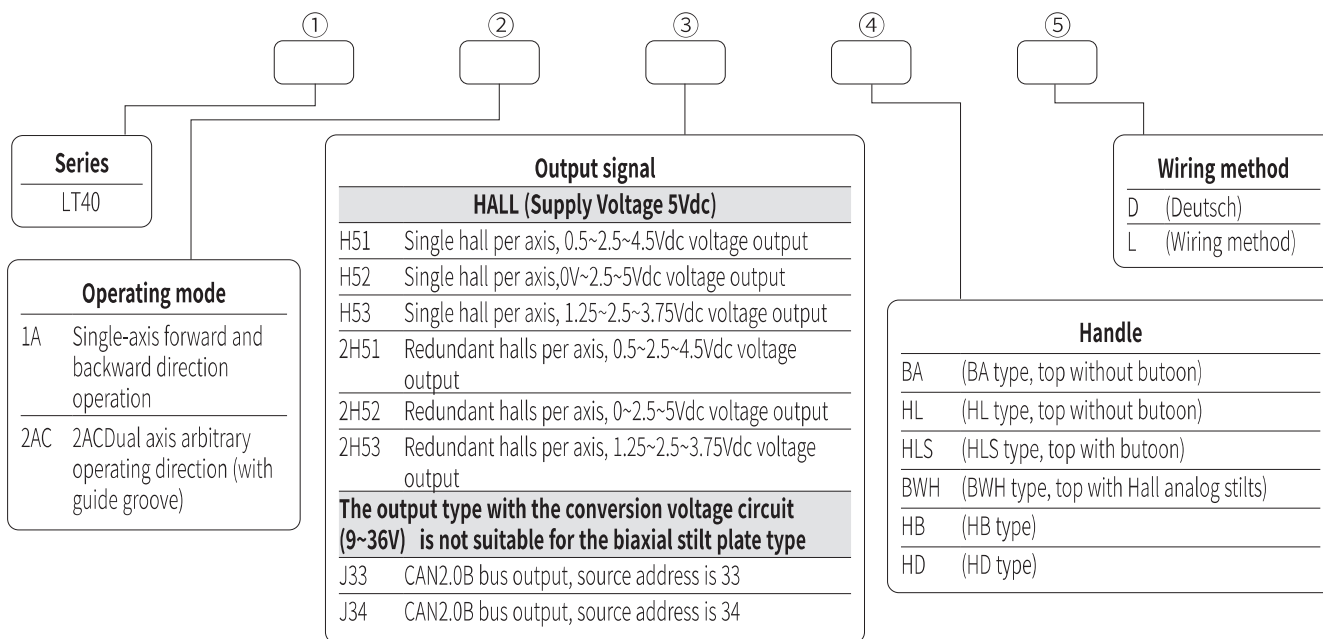
Operating Temperature	$-30^\circ\text{C} \sim +70^\circ\text{C}$
Storage Temperature	$-40^\circ\text{C} \sim +85^\circ\text{C}$
Protection level	IP67 Above the flange



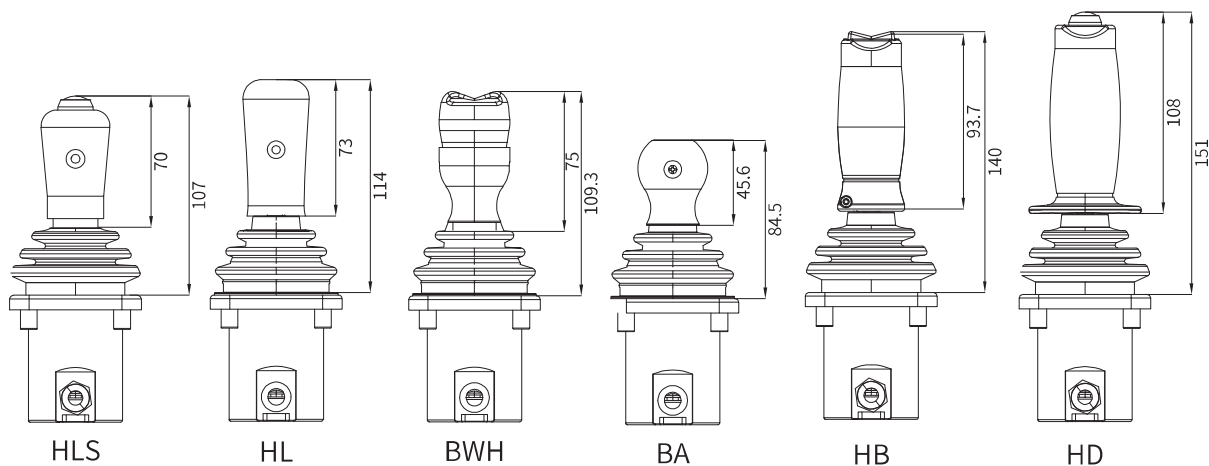
Dimensions



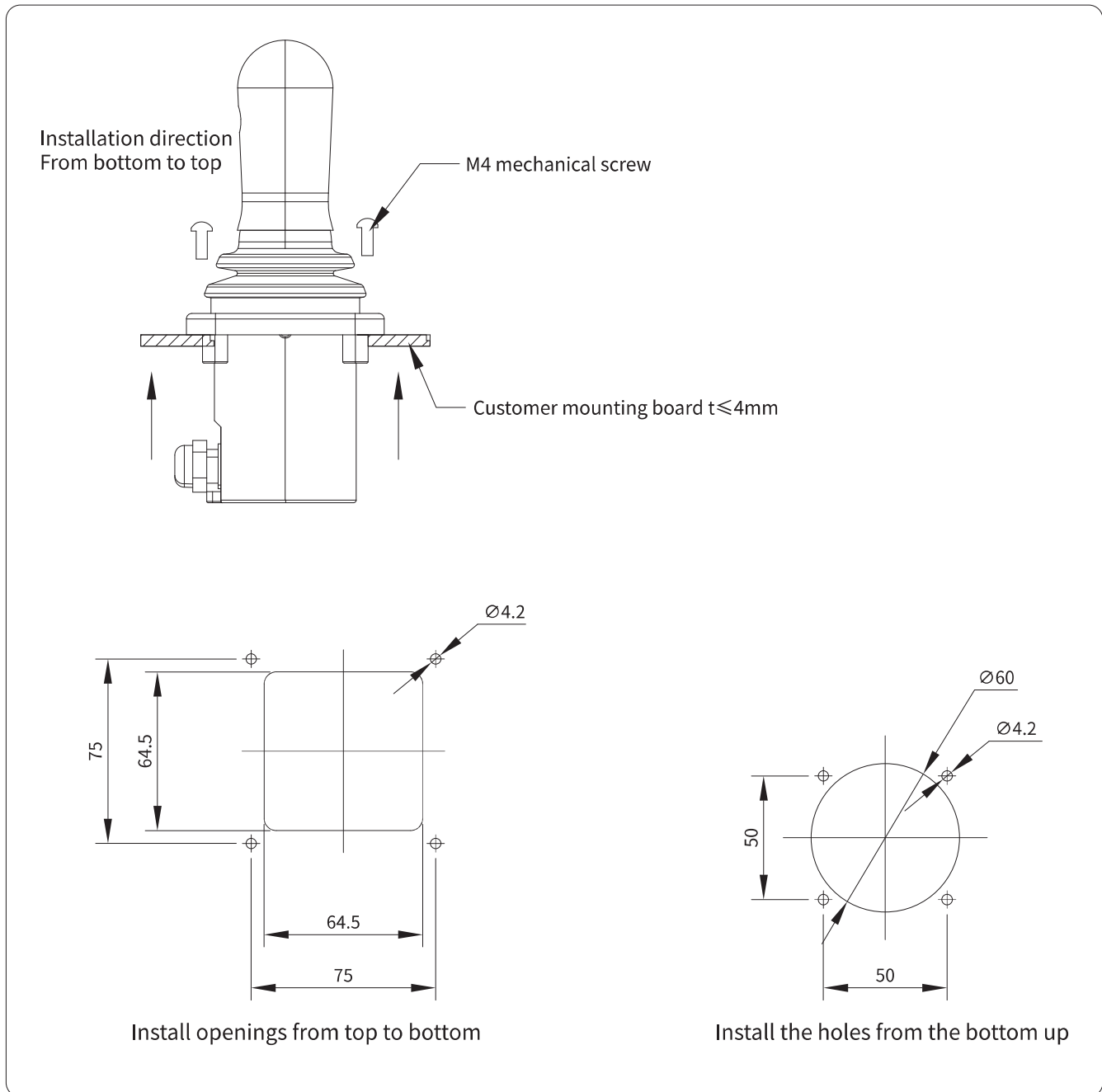
Product Configuration



Optional handle



Product Installation



Electrical Connections

6-pin

Line colour	Function
black	0V
red	5V
yellow	X out
green	Y out
blue	Stilt analog output/button
brown	Empty/button