

HB Series Grip

Product Features

- Ergonomic design, good handle feel
- Using Nylon makes components durable

Application

Typically used in LT20, LT21, LT30, LT60 series joysticks.



Environmental Data

Operating temperature	-30°C~+70°C
Storage temperature	-40°C~ +85°C
Protection level	IP65 (Above the installation panel)

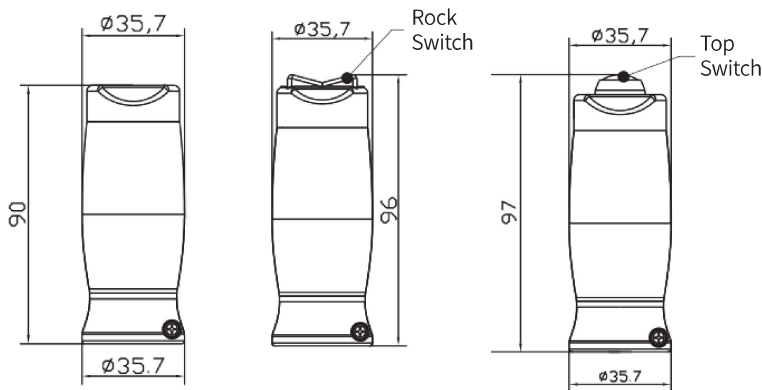
Interface Information

- 0.2mm² colorful high-temperature wire;
- Normally, directly outlet without terminal.
- The wire length and determination, please refer to the attachment.
- M8 female mechanical connector.
- Special requirements please contact technical.

Dimensions



Product Configuration



HB

HBR

HBS